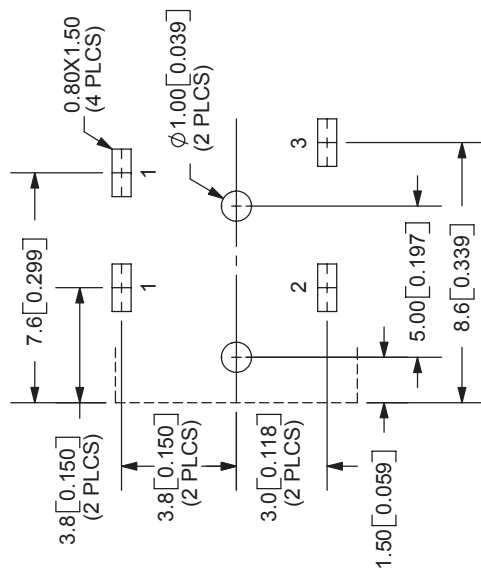
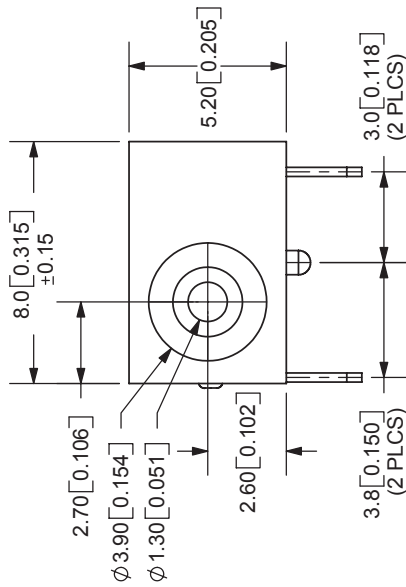


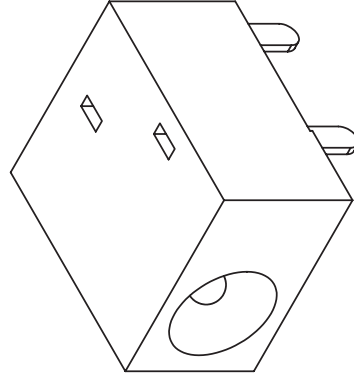
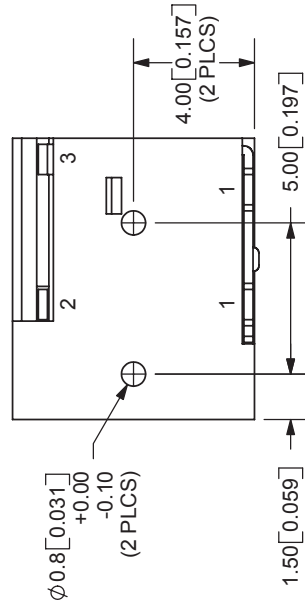
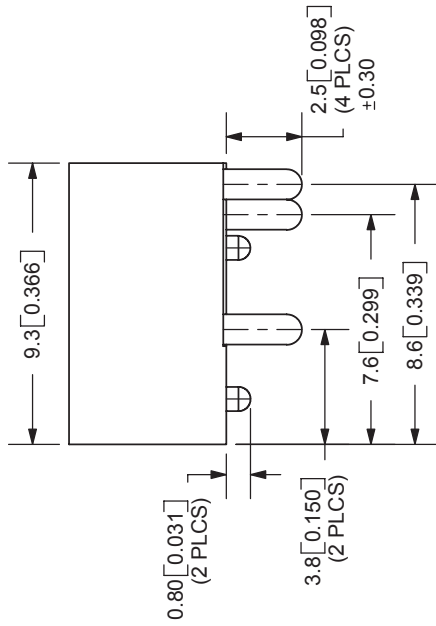
REV.	DESCRIPTION	DATE
A	NEW DRAWING	7/30/2007



PCB LAYOUT
TOP VIEW

MODEL NO.	PJ-053D
SCHEMATIC	

CENTER PIN DIAMETER 1.30mm Dia.



TOLERANCE:
X.X±0.2mm
X.XX±0.1mm
X.XXX±0.05mm



20050 SW 112th Ave.
Tualatin, OR 97062
Phone: 503-612-2300
800-275-4899
Fax: 503-612-2383
Website: www.cui.com

SPECIFICATIONS:
RATING: 16V DC@ 2A
CONTACT RESISTANCE: 50m OHMS MAX
INSULATION RESISTANCE: 100M OHMS MIN: 500V DC
VOLTAGE WITHSTAND: 500V AC R.M.S. FOR 1 MINUTE
LIFE: 5,000 CYCLES
OPERATING TEMP: -25° ~ +85°C

TITLE:	DC POWER JACK	REV:	A
PART NO:	PJ-053D	UNITS:	MM [INCHES]
DRAWN BY:	ZRJ	APPROVED BY:	
MATERIAL	Copper	PLATING	Nickel
CENTER PIN	Copper		Tin
TERMINAL 1	Brass		Tin
TERMINAL 2	Copper Alloy		Tin
TERMINAL 3	Brass		Tin
BODY	PA66		